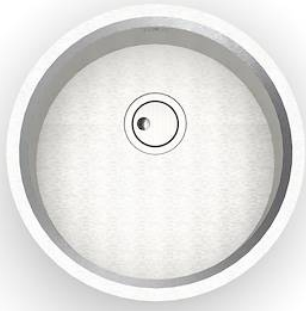


## Sink Giotto Vintage

Kitchen Sinks

Code: 1333 080



### DETAILS

Edge/Installation Type	Flush-mount   Top-mount
Material	AISI 304 stainless steel
Texture	Vintage
Base	60 cm
Dimensions	Ø 520 mm
Standard fittings	Fixing hooks, gasket, drain, overflow and siphon, boxed packing
Mixer holes	No standard holes
Built-in hole	<a href="#">View technical data sheet</a>
Drainer	No

Width 52 cm

---

Bowl dimension Ø 445mm

---

Number of bowls 1 bowl

---

Waste fitting Drain SPACE 3,5"

---

## FEATURES

**Deep bowls** This bowls reach an important depth, over 20 cm, thanks to the advanced production technology, that can be offer great capincy and practicity in all the washing operations.

---

**High thickness** 1mm thick steel. A significant thickness, which guarantees the maximum sturdiness and durability.

---

**Save space system** Drain and siphon are designed to leave as much space as possible in the under-sink area, more and more useful today for theseparate waste collection systems.

---

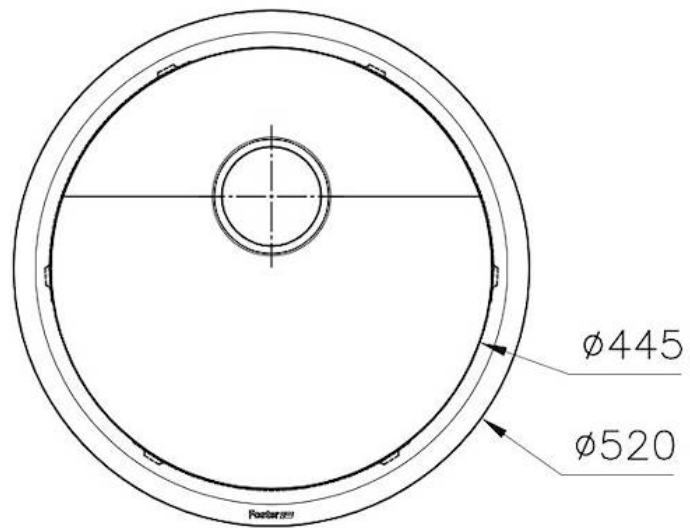
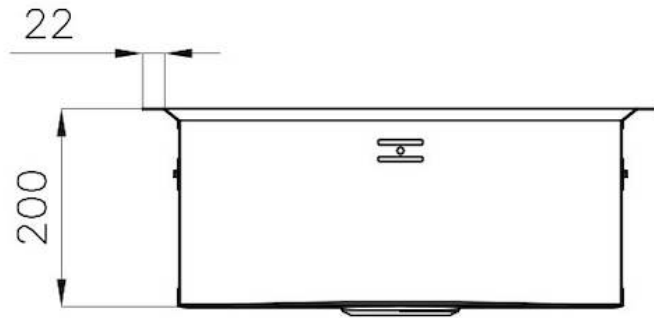
**Space waste fitting** The elegant SPACE steel cap closes the drain and leaves no visible residues collected in the basket below. Space also has a small footprint and allows the optimal use of the under-sink compartment.

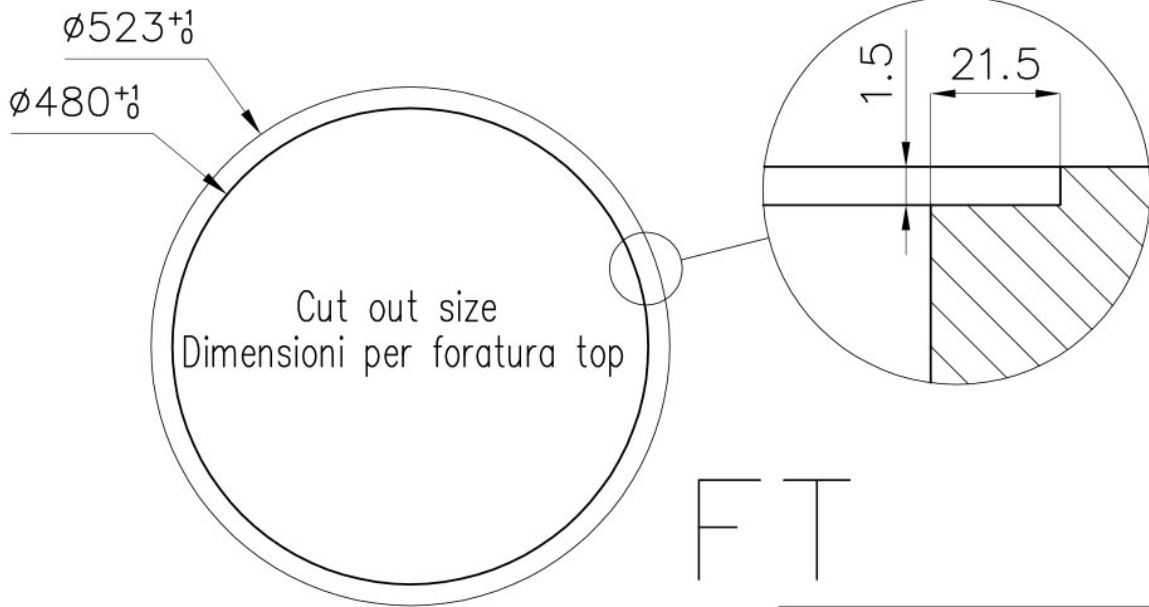
---

**VINTAGE** The Vintage finish gives the product a long-lived and elegant look, creating a surface that does not fear scratches.

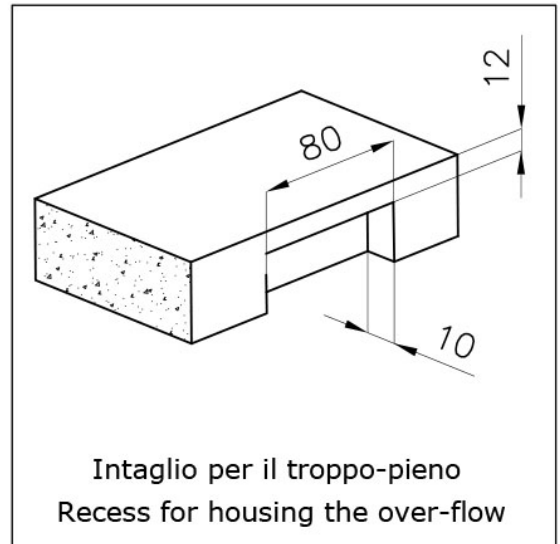
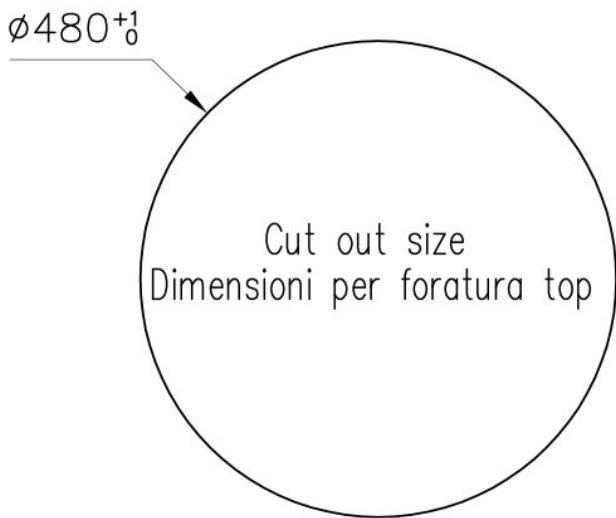
---

## TECHNICAL DATA





FT



FTS

## GALLERY



## OPTIONAL ACCESSORIES



**Stainless steel Plate rack**  
8100 051



**Kit Giotto**  
8100 152



**Iroko-wood round chopping board**  
8642 005